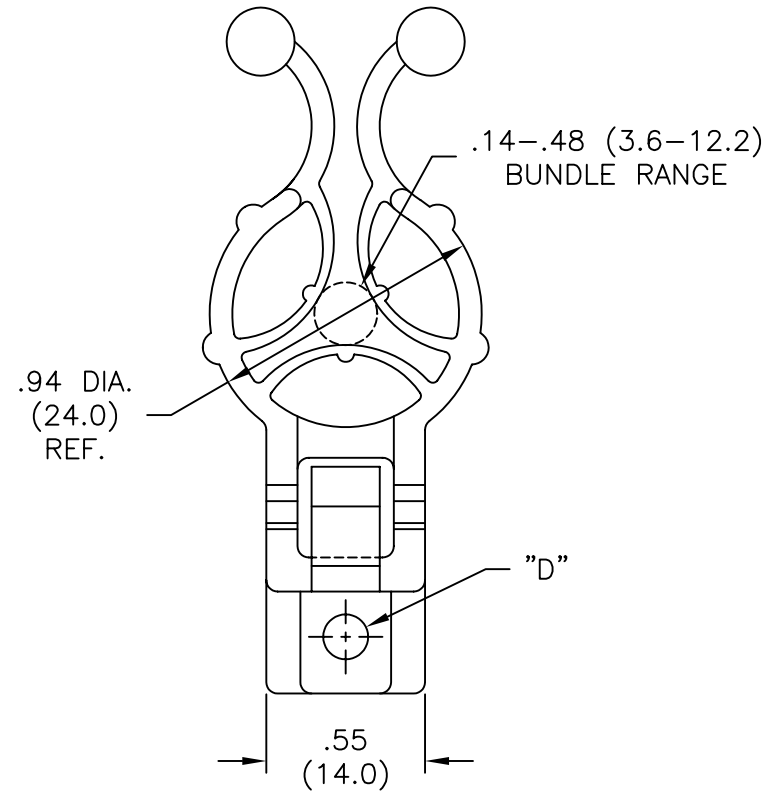
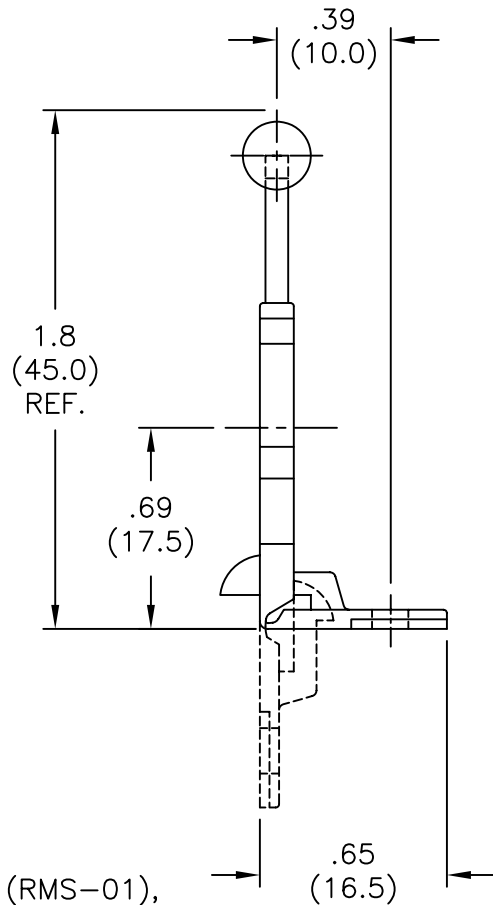


PART NO.	HOLE DIA. "D"	RECOMMENDED SCREW SIZE
WTLH90-300-4-01	.13 (3.3)	#4 (M3)
WTLH90-300-6-01	.15 (3.8)	#6 (M3.5)
WTLH90-300-M4-01	.17 (4.3)	M4



NOTES:
 1. MAT'L: NYLON 66 (RMS-01),
 FLAME RETARDANT, NYLON (RMS-19)
 BY SPECIAL ORDER.
 2. COLOR: NATURAL.

REV	DESCRIPTION	ENGR	DATE
F	CHANGED FILE NUMBER	SM	05.31.01
E	MAT'L RMS-19 ADDED	J.L.	12.29.97
D	METRIC EQUIVALENTS CORRECTED	PB	08.17.95
C	ADDED "WEBBED" TO TITLE & "W" TO P/N	PB	06.27.95
B	CONVERTED TO ACAD	PB	04.11.95
A	ADDED METRIC SCREW EQUIVALENT	RS	04.29.92

TITLE: WEBBED TWIST-LOCK-HINGED 90-300		DWG IN IN (MM)		FINAL	
FILE #	WTLH90	DWN:	P.B.	APP:	
MAT'L:	SEE NOTE	DT:	04-11-95	DT:	
RE:	RICHCO INC.	RICHCO INC. PO BOX 804238, CHICAGO, 60680 (773) 539-4060		PART #	SEE TABLE
				PRINT TYPE	CA